



AOKLY GEL DEEP CYCLE BATTERY 12V 100AH (10HR) 6GFM100G

GENERAL FEATURES

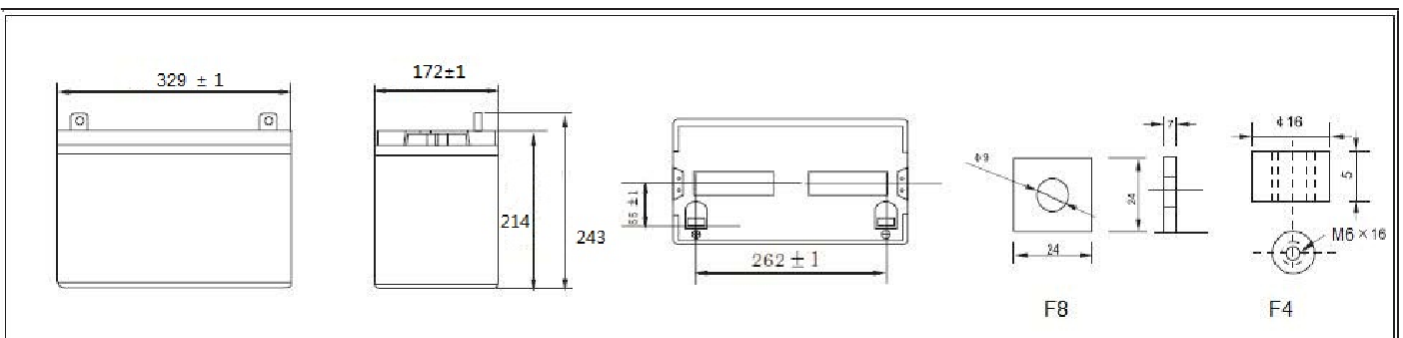
- Maintenance Free
- Superior Cycle Life
- Valve Regulated
- Spill Proof / Leak Proof
- No Memory Effect
- Low Self Discharge
- High Power to Weight Ratio
- Rugged and Vibration Resistant
- Long Shelf and Design Life
- Wide Operating Temperature
- Able To Repeatedly Accept Recharging
- Certified To CE, IOS and OHSAS Standards
- ABS Enhanced Strength Battery Casing



SPECIFICATIONS

Model	Nominal Voltage	12V		
	Rated Capacity (10Hr rate)	100Ah		
Dimensions	Length	Width	Height	Total Height
	329mm	172mm	214mm	243mm
Weight	Approx. 28.3 kgs (+/-3%)			
Capacity @25° C	10 Hour (10A,10.8V)			
	100Ah			
Internal Resistance	Fully charged at 25° C, approx. 4.2mΩ			
Max. Discharge current	1000A (5 Sec.)			
Capacity Affected by Temp. (20Hr)	40° C	25° C	0° C	-15° C
	112%	100%	80%	68%
Self-Discharge Rate @25° C	After 3 months Storage	After 6 months Storage	After 12 months Storage	
	91%	82%	64%	
Charge Method	Cycle Use		Float Charge	
	14.1-14.4V (Initial current less than 30 A) @25° C		13.5-13.8V@25° C	

DIMENSIONS & TERMINALS



Distributor: Branson Holdings (Pty) Ltd

Email: info@bransonholdings.co.za

Web: www.bransonholdings.co.za

Tel: 087 808 4752

©2021 AOKLY. All rights reserved

Trademarks and logos are the property of AOKLY and its affiliates unless otherwise noted.

Subject to revisions without prior notice.